



WanXiang Solar



SOLAR MODULES WXS160S

Specifications

Cell Type	Mono-Silicon solar Cells
Cell Size	125mm×125mm
No. of cells and connections	72(6×12)
Dimension of module(mm)	1580×808×40mm
Weight	15.5Kg

Electrical Characteristics

Model	WXS160S
Maximum power at STC(Pm)	160W
Open-circuit voltage(Voc)	42.48V
Short-circuit current(Isc)	5.40A
Voltage at Pmax(Vmp)	34.04V
Current at Pmax(Imp)	4.70A
Application	DC 24V system

(STC:Irradiance AM1.5, 1000W/m², 25°C)

Limits

Fuse rating	15A
UL maximum system voltage	600VDC
TUV maximum system voltage	1000VDC
Operating temperature	-40~+85°C

Temperature and Coefficients

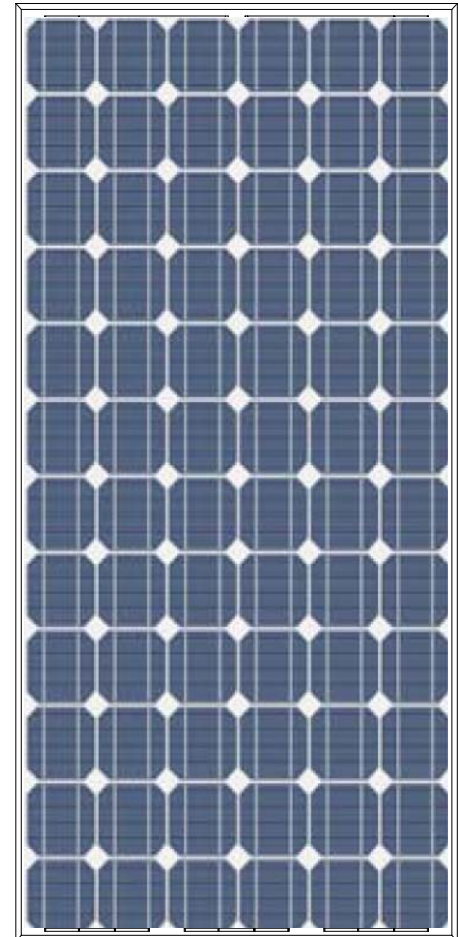
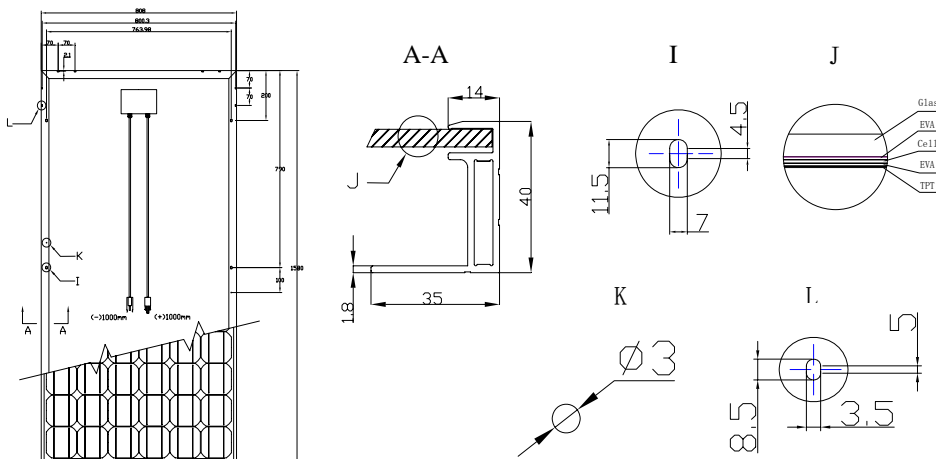
NOCT	48°C±2°C
Temp coefficient of Voc	-(160±10)mV/°C
Temp coefficient of Isc	(0.065±0.015)%/°C
Temp coefficient of power	-(0.5±0.05)%/°C

NOCT:Nominal Operation Cell Temperature

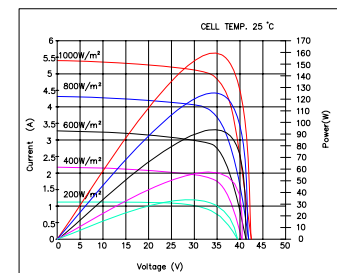
Output

Type of output terminal	Junction box
Cable	4mm ²
Cable lengths	1000mm
Connector	Plug type

Mechanical Characteristics



Characteristics Curve





WanXiang Solar



SOLAR MODULES WXS165S

Specifications

Cell Type	Mono-Silicon solar Cells
Cell Size	125mm×125mm
No. of cells and connections	72(6×12)
Dimension of module(mm)	1580×808×40mm
Weight	15.5Kg

Electrical Characteristics

Model	WXS165S
Maximum power at STC(P _m)	165W
Open-circuit voltage(V _{oc})	42.84V
Short-circuit current(I _{sc})	5.40A
Voltage at P _{max} (V _{mp})	34.74V
Current at P _{max} (I _{mp})	4.75A
Application	DC 24V system

(STC:Irradiance AM1.5, 1000W/m², 25°C)

Limits

Fuse rating	15A
UL maximum system voltage	600VDC
TUV maximum system voltage	1000VDC
Operating temperature	-40~+85°C

Temperature and Coefficients

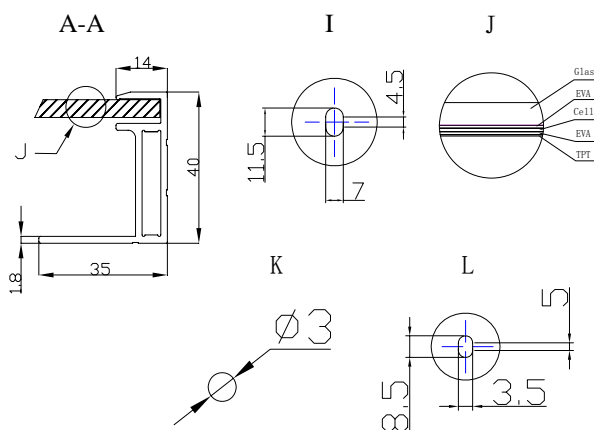
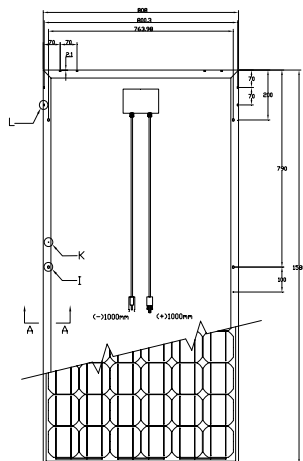
NOCT	48°C±2°C
Temp coefficient of V _{oc}	-(160±10)mV/°C
Temp coefficient of I _{sc}	(0.065±0.015)%/°C
Temp coefficient of power	-(0.5±0.05)%/°C

NOCT:Nominal Operation Cell Temperature

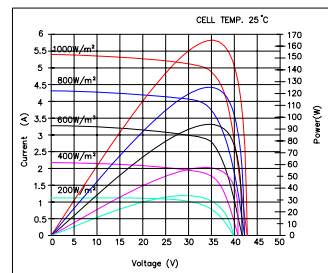
Output

Type of output terminal	Junction box
Cable	4mm ²
Cable lengths	1000mm
Connector	Plug type

Mechanical Characteristics



Characteristics Curve





WanXiang Solar



SOLAR MODULES WXS170S

Specifications

Cell Type	Mono-Silicon solar Cells
Cell Size	125mm×125mm
No. of cells and connections	72(6×12)
Dimension of module(mm)	1580×808×40mm
Weight	15.5Kg

Electrical Characteristics

Model	WXS170S
Maximum power at STC(Pm)	170W
Open-circuit voltage(Voc)	43.20V
Short-circuit current(Isc)	5.40A
Voltage at Pmax(Vmp)	35.41V
Current at Pmax(Imp)	4.80A
Application	DC 24V system

(STC:Irradiance AM1.5, 1000W/m², 25°C)

Limits

Fuse rating	15A
UL maximum system voltage	600VDC
TUV maximum system voltage	1000VDC
Operating temperature	-40~+85°C

Temperature and Coefficients

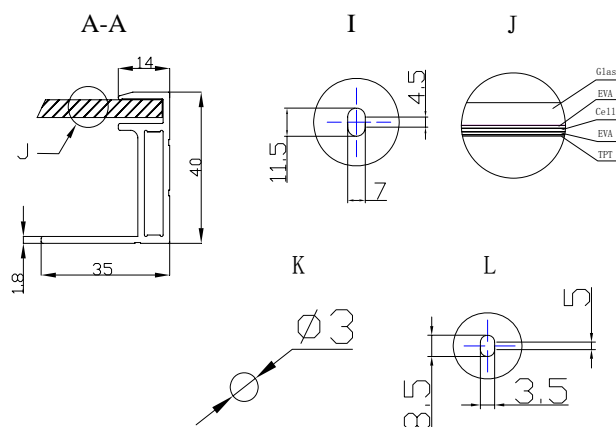
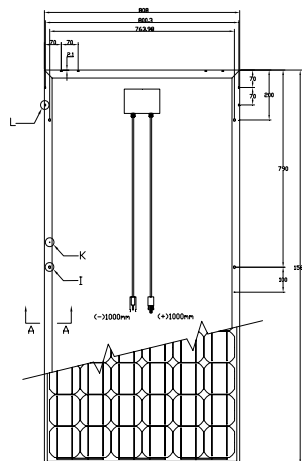
NOCT	48°C±2°C
Temp coefficient of Voc	-(160±10)mV/°C
Temp coefficient of Isc	(0.065±0.015)%/°C
Temp coefficient of power	-(0.5±0.05)%/°C

NOCT:Nominal Operation Cell Temperature

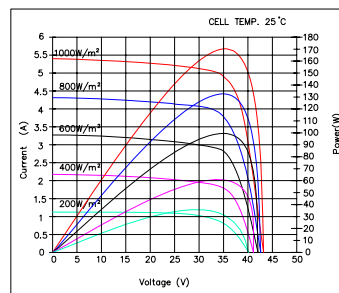
Output

Type of output terminal	Junction box
Cable	4mm ²
Cable lengths	1000mm
Connector	Plug type

Mechanical Characteristics



Characteristics Curve





WanXiang Solar



SOLAR MODULES WXS175S

Specifications

Cell Type	Mono-Silicon solar Cells
Cell Size	125mm×125mm
No. of cells and connections	72(6×12)
Dimension of module(mm)	1580×808×40mm
Weight	15.5Kg

Electrical Characteristics

Model	WXS175S
Maximum power at STC(Pm)	175W
Open-circuit voltage(Voc)	43.60V
Short-circuit current(Isc)	5.50A
Voltage at Pmax(Vmp)	35.71V
Current at Pmax(Imp)	4.90A
Application	DC 24V system

(STC:Irrandiance AM1.5, 1000W/m2, 25°C)

Limits

Fuse rating	15A
UL maximum system voltage	600VDC
TUV maximum system voltage	1000VDC
Operating temperature	-40~+85°C

Temperature and Coefficients

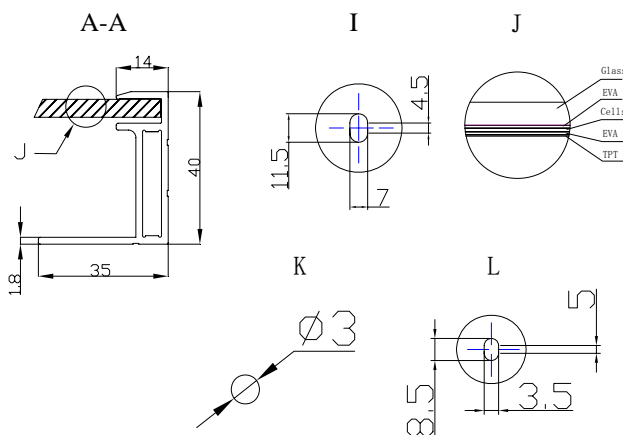
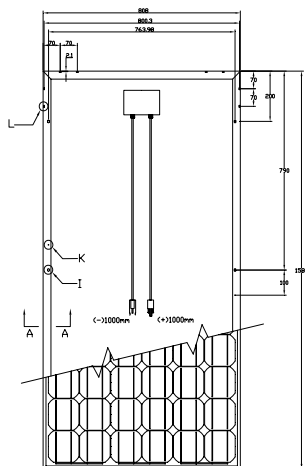
NOCT	48°C±2°C
Temp coefficient of Voc	-(160±10)mV/°C
Temp coefficient of Isc	(0.065±0.015)%/°C
Temp coefficient of power	-(0.5±0.05)%/°C

NOCT:Nominal Operation Cell Temperature

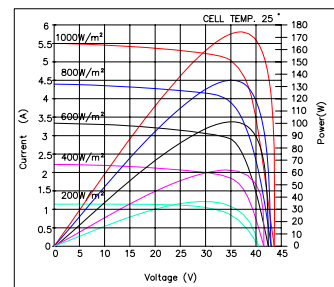
Output

Type of output terminal	Junction box
Cable	4mm ²
Cable lengths	1000mm
Connector	Plug type

Mechanical Characteristics



Characteristics Curve





WanXiang Solar



SOLAR MODULES WXS180S

Specifications

Cell Type	Mono-Silicon solar Cells
Cell Size	125mm×125mm
No. of cells and connections	72(6×12)
Dimension of module(mm)	1580×808×40mm
Weight	15.5Kg

Electrical Characteristics

Model	WXS180S
Maximum power at STC(Pm)	180W
Open-circuit voltage(Voc)	44.28V
Short-circuit current(Isc)	5.60A
Voltage at Pmax(Vmp)	35.65V
Current at Pmax(Imp)	5.05A
Application	DC 24V system

(STC:Irradiance AM1.5, 1000W/m², 25°C)

Limits

Fuse rating	15A
UL maximum system voltage	600VDC
TUV maximum system voltage	1000VDC
Operating temperature	-40~+85°C

Temperature and Coefficients

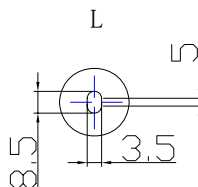
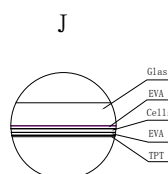
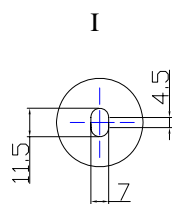
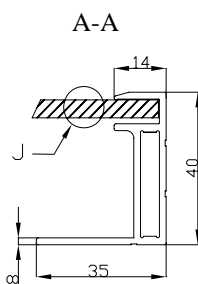
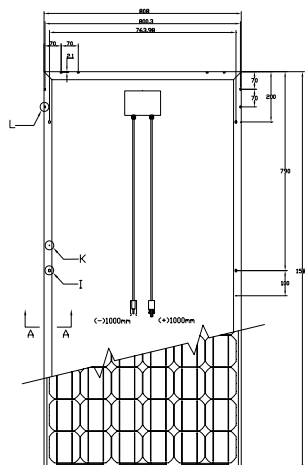
NOCT	48°C±2°C
Temp coefficient of Voc	-(160±10)mV/°C
Temp coefficient of Isc	(0.065±0.015)%/°C
Temp coefficient of power	-(0.5±0.05)%/°C

NOCT:Nominal Operation Cell Temperature

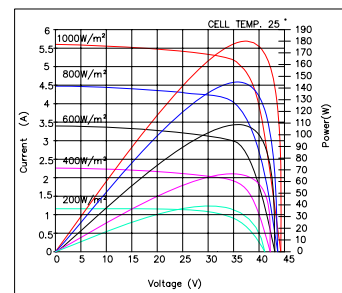
Output

Type of output terminal	Junction box
Cable	4mm ²
Cable lengths	1000mm
Connector	Plug type

Mechanical Characteristics



Characteristics Curve





WanXiang Solar



SOLAR MODULES WXS185S

Specifications

Cell Type	Mono-Silicon solar Cells
Cell Size	125mm×125mm
No. of cells and connections	72(6×12)
Dimension of module(mm)	1580×808×40mm
Weight	15.5Kg

Electrical Characteristics

Model	WXS185S
Maximum power at STC(Pm)	185W
Open-circuit voltage(Voc)	44.28V
Short-circuit current(Isc)	5.60A
Voltage at Pmax(Vmp)	35.90V
Current at Pmax(Imp)	5.15A
Application	DC 24V system

(STC:Irradiance AM1.5, 1000W/m², 25°C)

Limits

Fuse rating	15A
UL maximum system voltage	600VDC
TUV maximum system voltage	1000VDC
Operating temperature	-40~+85°C

Temperature and Coefficients

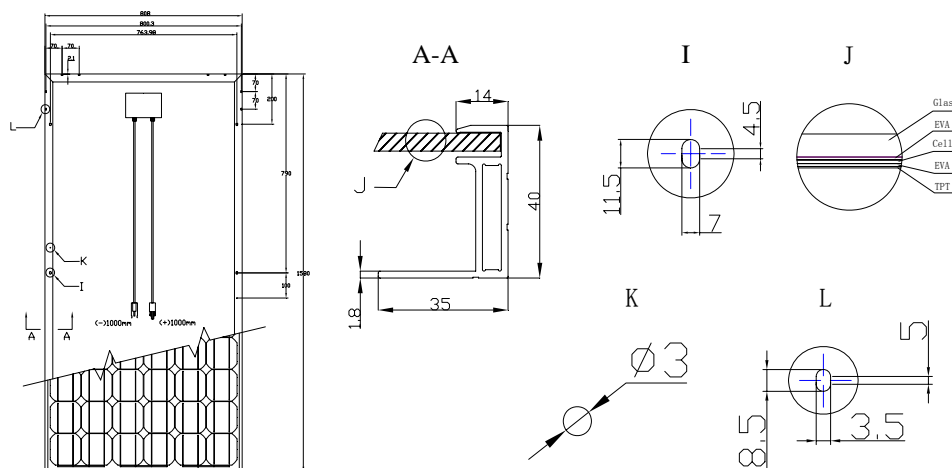
NOCT	48°C±2°C
Temp coefficient of Voc	-(160±10)mV/°C
Temp coefficient of Isc	(0.065±0.015)%/°C
Temp coefficient of power	-(0.5±0.05)%/°C

NOCT:Nominal Operation Cell Temperature

Output

Type of output terminal	Junction box
Cable	4mm ²
Cable lengths	1000mm
Connector	Plug type

Mechanical Characteristics



Characteristics Curve

